

Plan Code: **WS5**



Manufacturer: Steelcase, Inc.

Address: 901 44th Street SE

City / State: Grand Rapids, MI

Zip: 49508-7594

Phone #: 1.800.STEELCASE

Rep Group:

Contact Name: Christine A. Drabicki

Phone #:

email Address: cdrabick@steelcase.com

Item Type: SINGLE SIDED BENCHING STATION

Dimensions: 30"d x 10'l (plus 48"w credenza)

Style/Series: Bivi

Model #: See description

Alternate 1: Teknion with wood legs to match specifications

Alternate 2: Knoll Rockwell Benching with wood legs to match specifications

Description: Single sided benching system consisting of:

Qty. 2 rectangle worksurfaces, 60"w x 30"d

Qty. Single sided frame with intermediate legs and cable management;

Qty. 1 low closed credenza with open compartment on right, casters, 48"w x 16"d

Qty. 1 low closed credenza with open compartment on left, casters, 48"w x 16"d

Provide all necessary components and connections to complete assembly; power harness and base feed required per each instance

Finishes

Finish 1: Natural Walnut laminate

Finish 2: Seagull Paint and drawer front laminate

Finish 3:

Shop Drawings: Yes

Finish Submittal: Yes

Fabric / Upholstery

Manufacturer:

Pattern:

Color:

COM Submittal: Yes

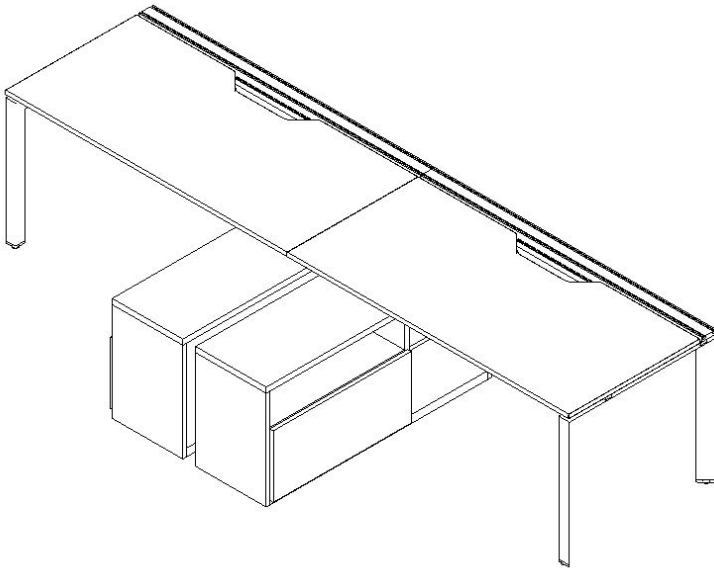
Yardage/Sq. Ft.:

Rooms: 249H(1), 251N(1)

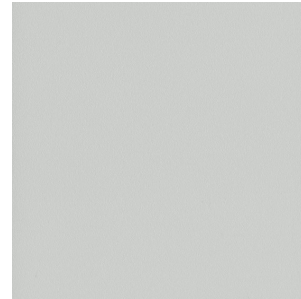
Total Quantity: 2



Item: **WS5 SINGLE SIDED BENCHING STATION**

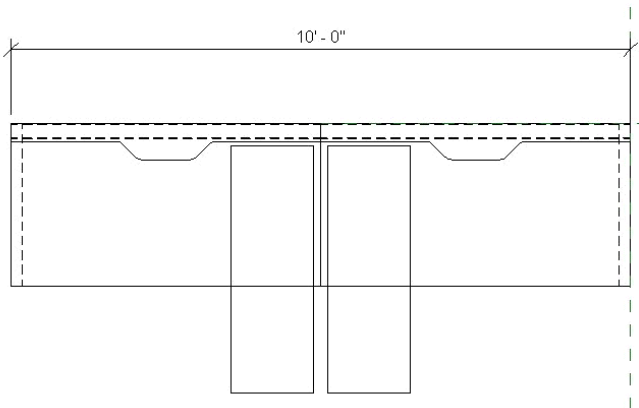


Laminate



Paint and laminate

Catalogue Image



Plan View (not to scale)